

Frigidaire

Factory Parts Catalog

Product No.	GLGT1031FS5
Market	North America
Color	white
Volts	120
Wiring Diagram	137132600
Owner's Guide	137232600
Installation Instructions	134897500
Energy Guide	134810400

 **Electrolux**

Electrolux Major Appliances
North & Latin America
P.O. BOX 212378
AUGUSTA, GA 30917

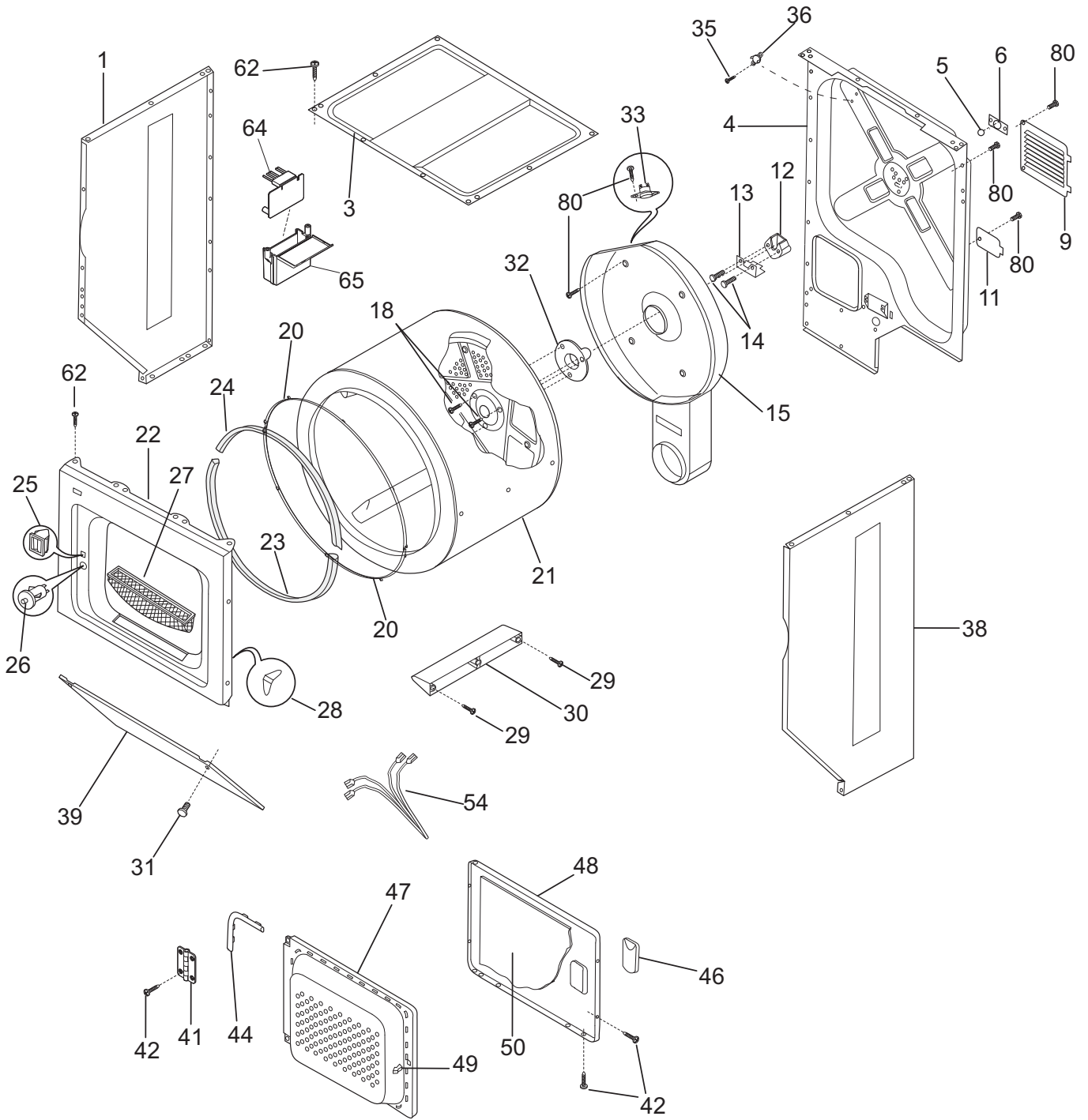
Publication No.
5995552378
09/09/16
(EN/SERVICE/WTC)
361

**LAUNDRY CENTER
WITH GAS DRYER**

Model No.
GLGT1031F

Copyright © 2009 Electrolux Home Products, Inc.
All rights reserved.

UPPER CABINET/DRUM HEATER

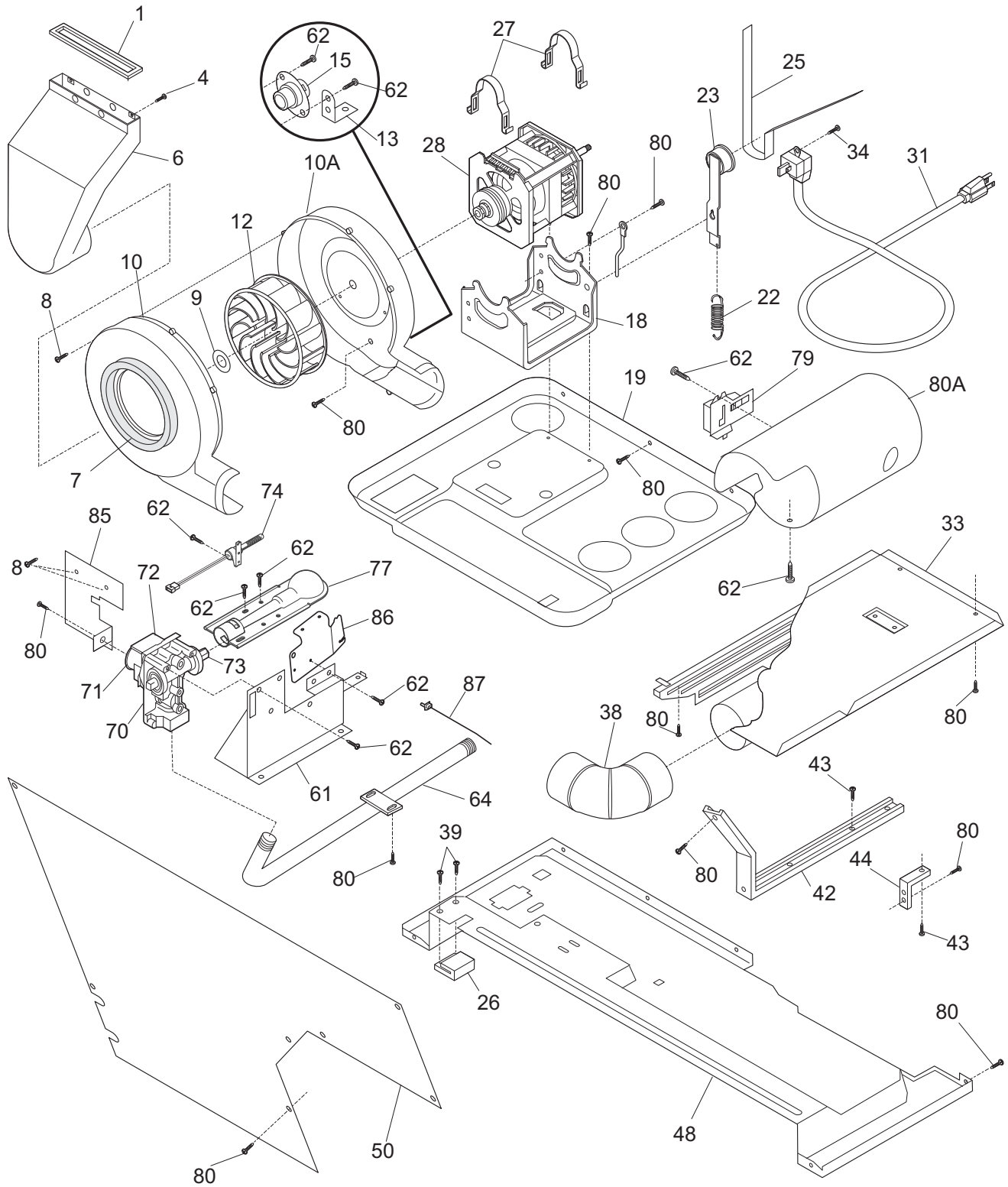


P17U0073

UPPER CABINET/DRUM HEATER

POS. NO	PART NO.	DESCRIPTION
1	131084710	Panel, white, left side
3	131883301	Panel, top
4	134799902	Panel, rear, steel, galvanized
5	5303281019	Ball, grounding
6	5303281020	Clip, ball, steel, flat nut
9	137223901	Panel, motor access, rear
11	5303207395	Cover, terminal block
12	131825900	Bearing, drum support
13	131724300	Bracket, bearing support
14	131205400	Screw, bracket mtg., 10-16B x 1.375, cr/sq drive
15	131776500	Housing, heater, w/duct
18	131477000	Screw, 10-16AB x 0.375
20	131963900	Glide, drum
21	134122572	Drum, dryer, painted, service kit
22	131636237	Panel, front, white
22*	131870700	Plug, light hole
23	134134700	Seal, felt, lower
24	134036400	Seal, felt, upper
25	131658800	Door Catch, upper
26 #	131843100	Switch, door
27	131359600	Lint Trap
28	134440000	Clip, guide
29	131382300	Screw, quadrex head, 10-14 x 1.00, vane mtg., special
30	5303201200	Vane, straight
31	131202300	Screw, 10-16AB x 0.625
32	137088620	Shaft, drum support, ballhitch
33 #	5304406099	Thermostat, safety
33*	137061900	Jumper-wire
35	131892100	Screw, 6-20B x 0.230
36 #	134120900	Thermal Limiter
38	131084810	Panel, white, right side
39	131084402	Panel, access, white, front
41	134222900	Hinge, dryer door
42	134156200	Screw, flat head, 8-18AB x 0.44, quad drive
44	131129900	Gasket, door seal
46	131789400	Handle, door, white
47	131579103	Panel, inner door, white
48	131789303	Panel, outer door, white
49	5303211430	Door Strike
50	134535300	Insulator, heat shield, outer door
54 #	134846300	Wiring Harness, door switch
62	131258400	Screw, 10-16AB x 0.500
64 #	134810610	Control Board, temperature, ATC
64*#	134805600	Wiring Harness, ATC jumper
65	131894600	Housing, temp cont board
80	134547800	Screw, 10-16AB x 0.375
*	137194800	Bracket, support-LC

MOTOR/BLOWER/BELT

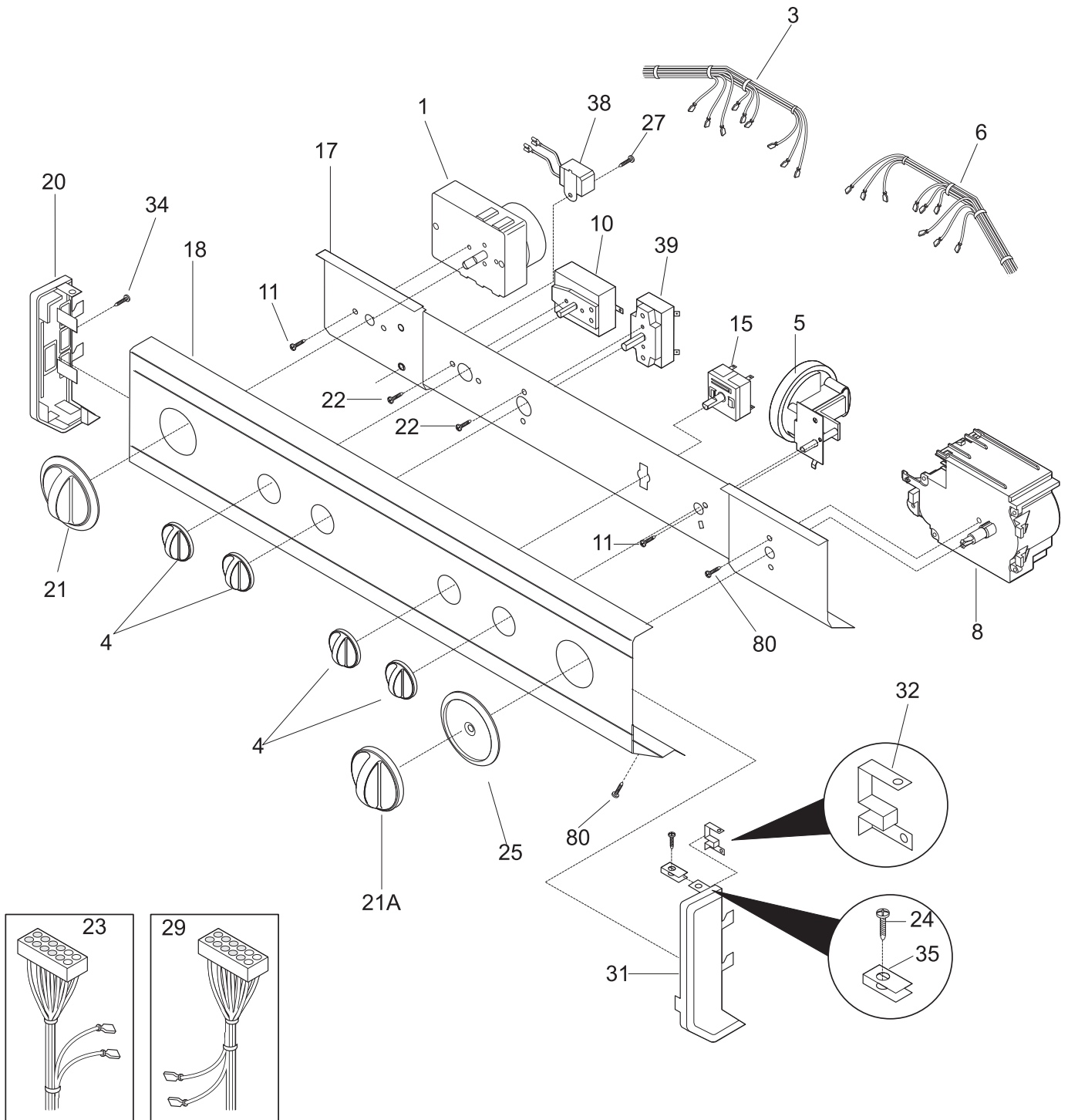


P17B0066

MOTOR/BLOWER/BELT

POS. NO	PART NO.	DESCRIPTION
1	131295200	Seal, air duct
4	131362400	Fastener, push-in
6	134086300	Duct, air
7	3204490	Seal, housing, to air duct
8	3205245	Screw, pan head, 6-18AB x 0.60
9	5303304824	Clamp
10	137215200	Housing, blower, front, with seal
10A	137134100	Housing, blower, rear
12	131476300	Blower Wheel
13	134608400	Ground Strap, thermostat
15 #	134721400	Thermostat, temp control
18	131413600	Cradle, motor mount, with idler stud
19	134613501	Panel, motor cradle mt, upper
22	3205241	Spring, idler
23	131863100	Idler Arm Assy, with pulley
25 #	134503900	Belt, dryer drive
26	5303212870	Block, support, bottom panel
27	134242400	Clamp, motor mtg.
28 #	134196600	Motor, dryer drive, with pulley
31 #	134500500	Power Cord, electric svce
33	131731410	Shield, access area, cover
34	134154100	Screw, hex washer head, 10-32 x 0.375, ground
38	3204320	Elbow, exhaust duct
39	131205100	Screw, #8 pan head, 10-10B x 0.500, cr/sq drive
42	5304439185	Bracket, marriage, interior
43	131751500	Screw, hex head, 12-24T 0.63
44	3204326	Bracket, L mounting, cabinet rear, external
48	131731310	Panel, dryer, bottom rear
50	3204329	Cover, safety, lower front
61	5303309493	Bracket, gas valve mtg
62	131243700	Screw, pan head, 8-18AB x 0.375
64	137076300	Pipe, gas
70 #	5303207409	Valve, gas
71 #	5300622602	Solenoid, secondary coil
72 #	5308015680	Solenoid, booster coil
73 #	5303211036	Orifice, natural gas, size 44
74 #	134393700	Igniter Assy
77 #	134197700	Burner, gas
79 #	5303281135	Sensor, radiant
80	134547800	Screw, 10-16AB x 0.375
80A#	131712401	Tube, burner
85	134287300	Shield, heat
86	134264800	Plate, adapter
87	131964400	Cable Tie, push mount, 5.20 inch
* #	134391000	LP Conversion Kit, natural to LP

CONTROL PANEL

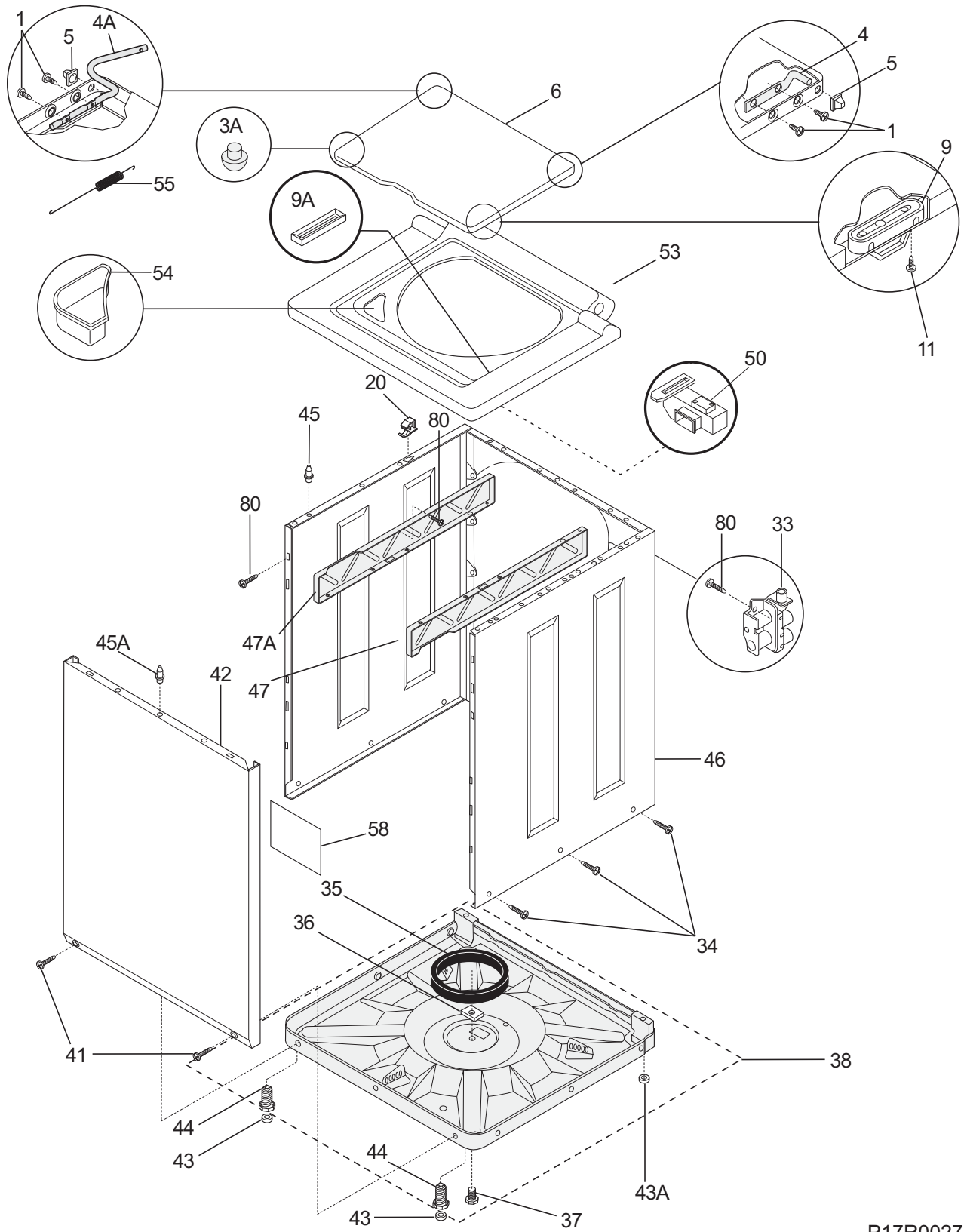


P17C0090

CONTROL PANEL

POS. NO	PART NO.	DESCRIPTION
1	131583801	Timer, dryer, 3-off
3 #	131703600	Wiring Harness, dryer control
4	134844470	Knob, rotary, white
5 #	137015000	Switch, pressure, 3 position
5*	131209800	Clamp, hose, pressure switch
6 #	137061000	Wiring Harness, washer control
8 #	134924400	Timer, 4-off w/bitron, washer
10 #	134399700	Switch, start, LCD
11	5303283289	Screw, cr pan head, 8-32 x 0.250, thread forming
15 #	134410100	Switch, temperature, 3 position
17	134263400	Bracket, control mount
18	134284200	Panel, trimplate, console front
20	131288101	End Cap, white, LH
21	134043000	Knob, dryer timer, white/dark gray
21A	134043200	Knob, washer timer, white
22	3161259	Screw, switch mtg, 6-32 x 0.19, (2), sems
23 #	134605800	Wiring Harness, main
23*	5304426200	Screw, terminal block
23*#	134101400	Terminal Block, main
24	134156200	Screw, flat head, 8-18AB x 0.44, quad drive
25	131976804	Indicator, timer pointer, white/dark gray, washer
27	131892100	Screw, 6-20B x 0.230
29 #	137061100	Wiring Harness, washer, lower
31	131288211	End Cap, white, RH
32	3204357	Clip, grounding
34	131243700	Screw, pan head, 8-18AB x 0.375
35	5308014350	Clip, end cap mtg, U-type
38 #	5303286537	Buzzer
39 #	134399800	Switch, dryer temp, rotary 4 pos
80	134547800	Screw, 10-16AB x 0.375

LOWER CABINET/TOP

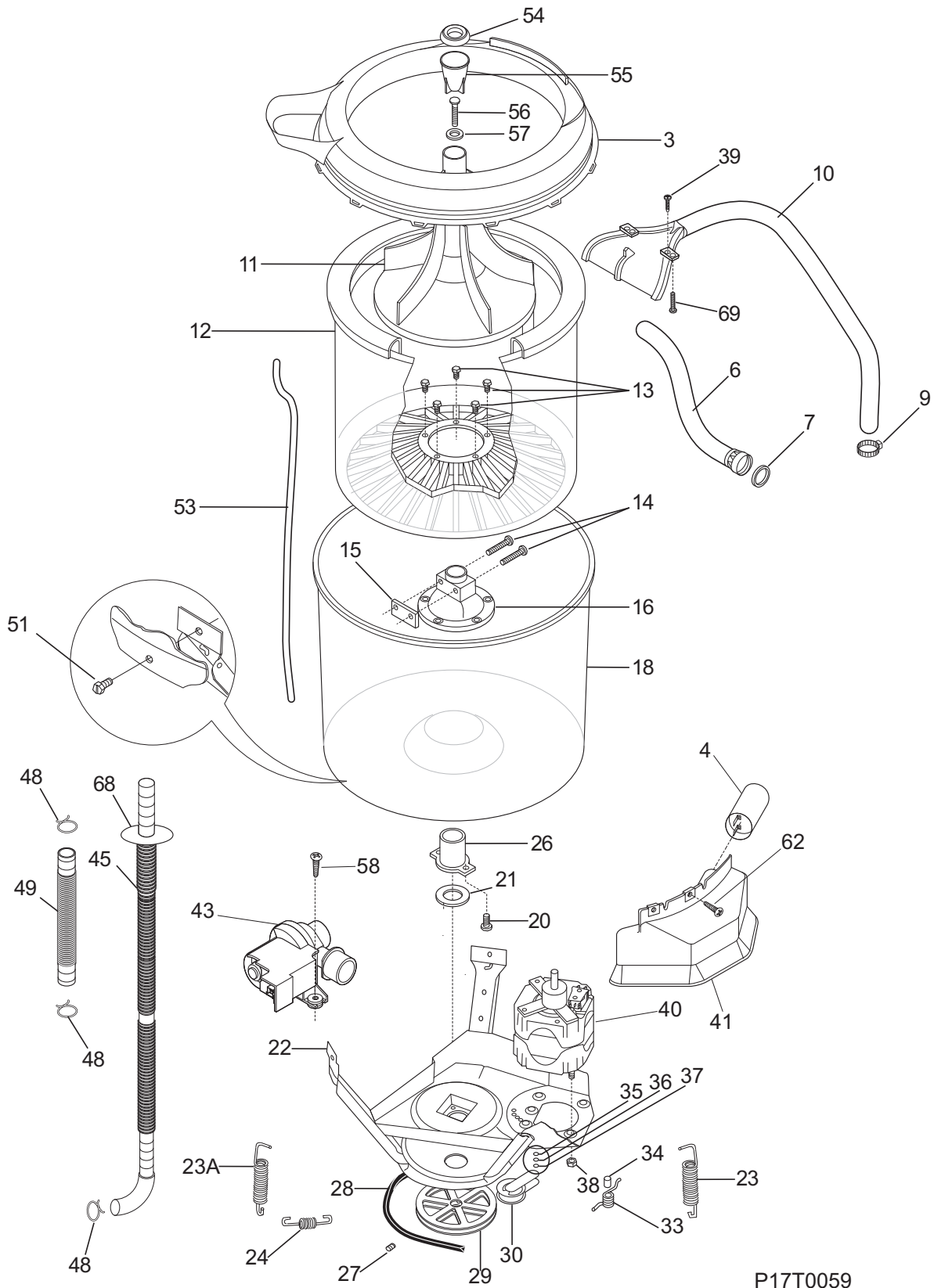


P17R0027

LOWER CABINET/TOP

POS. NO	PART NO.	DESCRIPTION
1	134203900	Screw, pan hd phillips, 6-32 x 0.337, dog point
3A	134075500	Bumper, lid, front
4	137104700	Hinge Bar, RH
4A	3205250	Hinge Bar, Universal
5	5303208743	Grommet, hinge
6	5303212872	Lid, washer, white
9	131390000	Lid Strike
9A	134768500	Insert, striker plate, lid slot
11	3204368	Screw, lid strike mtg, 6-20B X 0.375
20	3204374	Pin, slide, side to top
33 #	134890600	Valve, water, 115 V
34	131205500	Screw, cab body, 1/4-14 x 0.625, side-to-base
35	5308002385	Snubber Ring
36	3204380	Shipping Block
37	131658900	Screw, shipping, 1/4-20 x 1.001, yellow, unit base, thread forming
38	5303311213	Base Assembly
41	131258400	Screw, 10-16AB x 0.500
42	131104303	Panel, front, white
43	131422100	Pad, leveling leg
43A	131422200	Pad, self lvlg leg, rear
44	5303309673	Screw, leveling leg, with pad
45	131346400	Pin, panel locator
45A	131346401	Pin, panel locator, front
46	134046600	Cabinet Assy, white, back and sides
47	131106701	Bracket, marriage, RH
47A	131091001	Bracket, marriage, LH
50	134936800	Lock, lid, bitron
53	137194710	Panel, washer top, white
54	3204394	Dispenser, bleach
55	137046100	Spring, lid assist
58	131744202	Damper, vibration, 2.5X2.5X.070
80	134547800	Screw, 10-16AB x 0.375

MOTOR/TUB

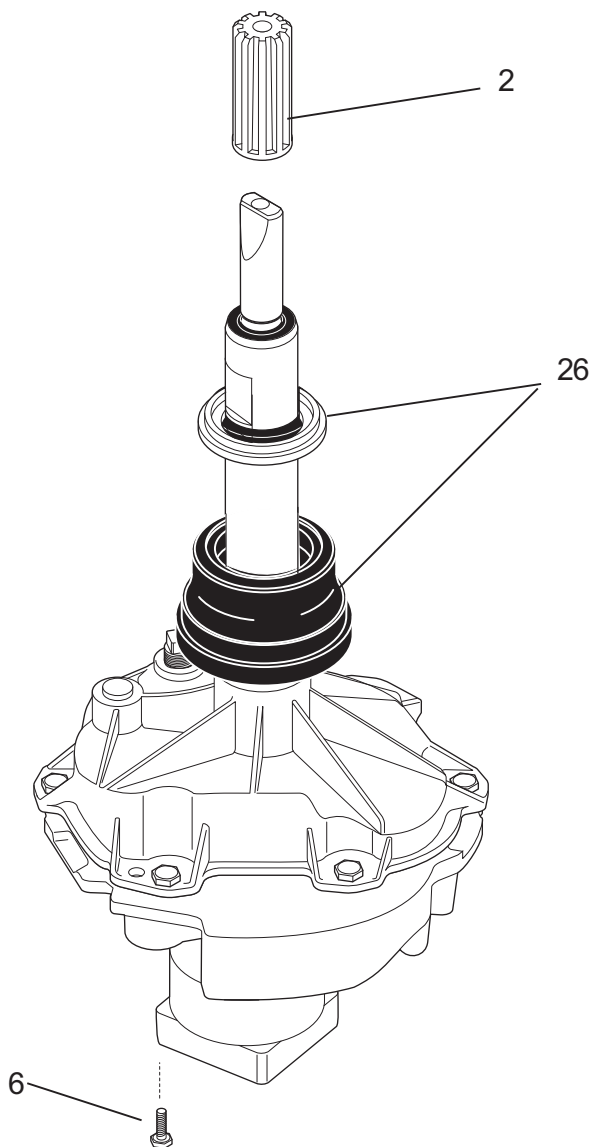
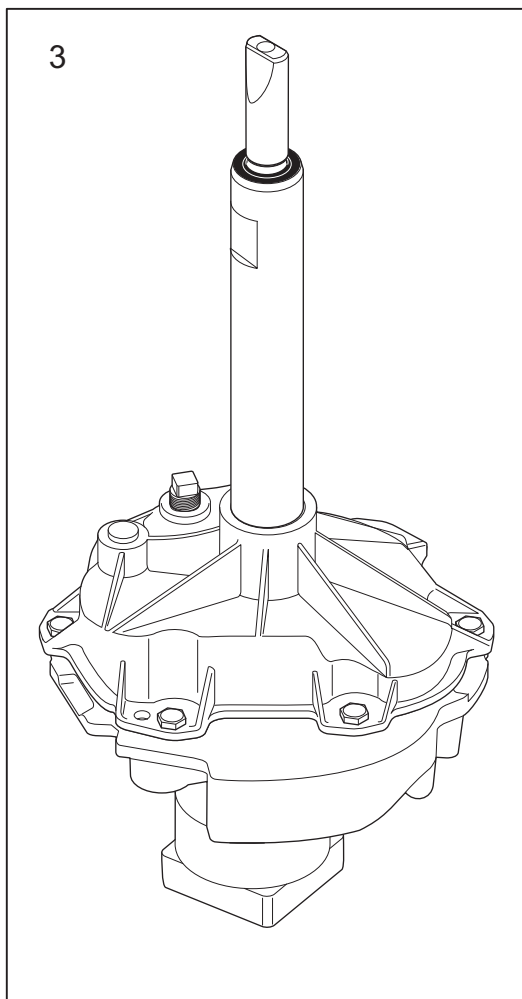


P17T0059

MOTOR/TUB

POS. NO	PART NO.	DESCRIPTION
3	131551103	Cover, splash tub, with seal
3*	131901400	• Seal, splash cover
4 #	131212303	Capacitor, motor
6	131454100	Hose, water inlet, 4 ft., hose & washer
7	5303161296	Washer, inlet hose
9	5303304824	Clamp
10	134211700	Hose Assy, w/nozzle
11	131427200	Agitator
12	131221300	Tub, spin
13	5303283293	Screw, trunion, 5/16-18 x 0.625, (5)
14	131192800	Screw, lockplate, 5/16-18 x 1.625
15	137107000	Plate, lock
16	131545101	Trunnion
18	131557201	Tub, splash, w/air dome, brg
20	3205150	Screw, tub bearing, 8-12B x 0.750
21	5308002401	Washer, spin bearing, upper
22	131373610	Leg & Dome Assy
23	134886600	Spring, vertical, short
23*	5303212877	Insert, spring adjuster, vertical
23A	134885900	Spring, vertical
24	131373900	Spring, horizontal
26 #	3204405	Bearing, outer tub
27	5303304825	Screw, set, hex hd cup, 5/16-18 x 0.85, xmsn pulley, hex head cup pt
28 #	134511600	V-Belt, washer drive, standard 4L
29 #	131498301	Pulley, xmsn drive
30 #	131862900	Idler Arm Assy, VAW, with pulley
33	3204425	Spring, torsional
34	3204426	Sleeve, idler pivot
35	3161433	Ring, retaining
36	5303261031	Washer, pivot shaft
37	5303161306	Washer, spring type
38	5303318708	Nut, hex flange, motor mounting
39	131205100	Screw, #8 pan head, 10-10B x 0.500, cr/sq drive
40 #	134159500	Motor, 3/4 hp, 2 speed, with pulley
41	134455500	Shield, motor assy
43 #	137151800	Pump, drain
45 #	134592700	Hose, drain
45*	131453000	Bushing, snap-in
45*	131663500	Cushion, drain hose, base
45*	134261300	Clip, drain hose, push-mount
45*	134745300	Clip, drain hose
48	131306234	Clamp, hose, wire
49 #	131494800	Hose, pump to tub
51	134164400	Screw, hex washer head, 5/16-18 x 0.625
53	5304401845	Tube, pressure, vinyl
54	131266800	Cap, dispenser
55	131206100	Cup, dispenser
56	131468900	Screw, agitator mtg, 5/16-18 x 1.250
57	131339600	Spacer, agitator mtg, rubber
58	134160900	Screw, washer hd, 10-16AB X 0.75
62	131258400	Screw, 10-16AB x 0.500
68	131707800	Ring, drain hose
68*	5303309503	Clip, drain hose, back sheet
69	131731500	Fastener, ratchet

TRANSMISSION



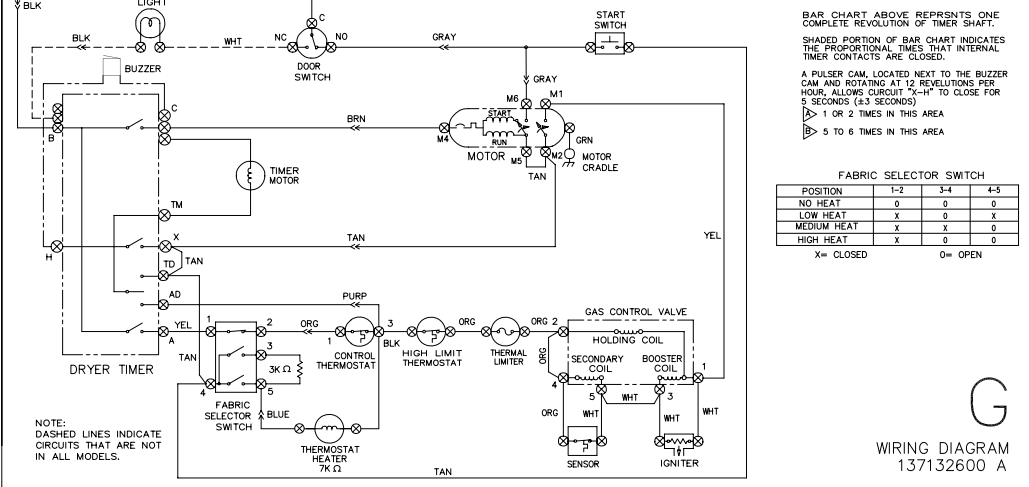
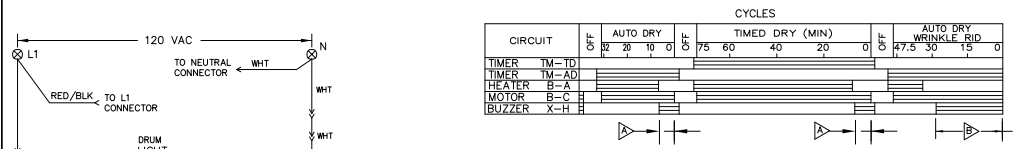
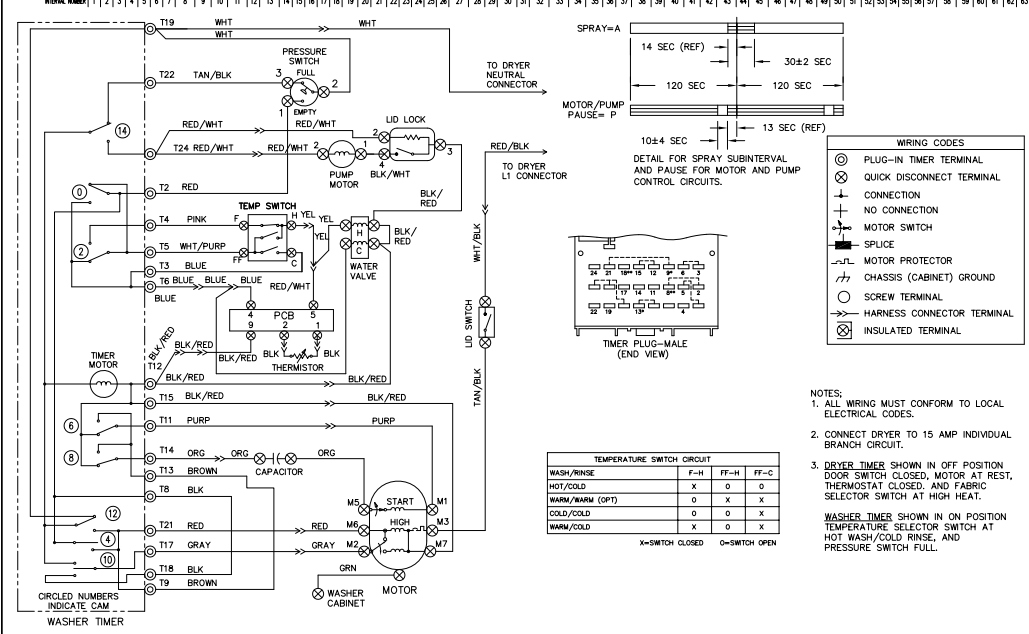
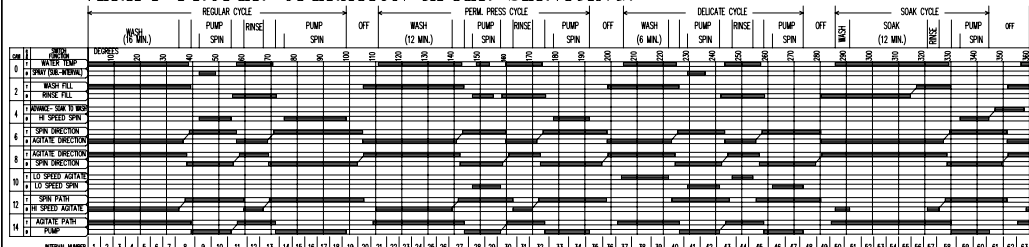
P17M0015

TRANSMISSION

POS. NO	PART NO.	DESCRIPTION
2 #	134418700	Hub, drive, agitator
3 #	134736400	Transmission, service kit
6	134197900	Screw, hex washer head, 1/4-20 x 0.437
26 #	5303279394	Seal Assy, tub, transmission
*	134810400	Energy Guide

WIRING DIAGRAM

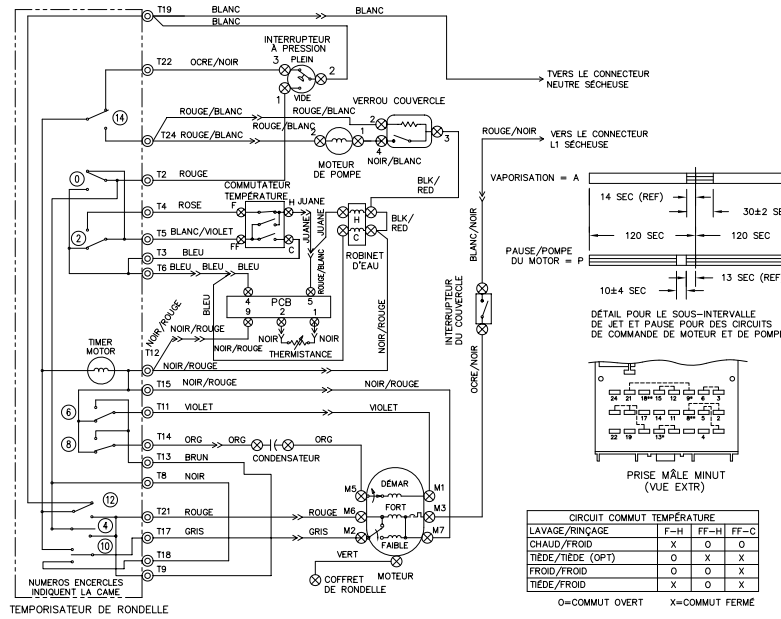
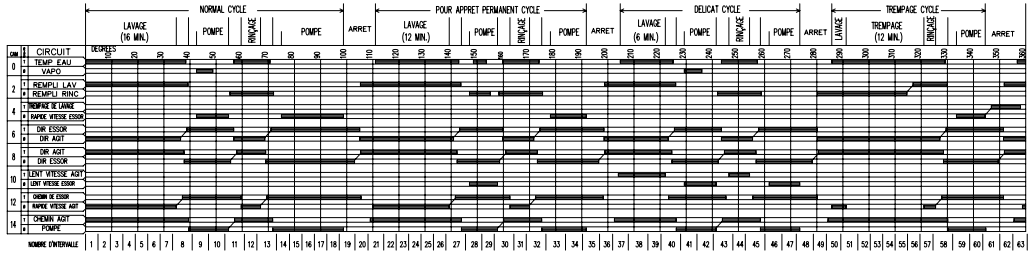
CAUTION: DISCONNECT ELECTRIC CURRENT BEFORE SERVICING. LABEL ALL WIRES PRIOR TO DISCONNECTION WHEN SERVICING CONTROLS. WIRING ERRORS CAN CAUSE IMPROPER AND DANGEROUS OPERATION. VERIFY PROPER OPERATION AFTER SERVICING.



G
WIRING DIAGRAM
1371.32600 A

WIRING DIAGRAM

ATTENTION: LORS DES OPERATIONS D'ENTRETIEN DES COMMANDES, ÉTIQUETER TOUS LES FILS AVANT DE LES DÉCONNECTER. TOUTE ERREUR DE CÂBLAGE PEUT ÊTRE UNE SOURCE DE DANGER ET DE PANNE. S'ASSURER QUE L'APPAREIL FONCTIONNE ADÉQUATEMENT UNE FOIS L'ENTRETIEN TERMINÉ.



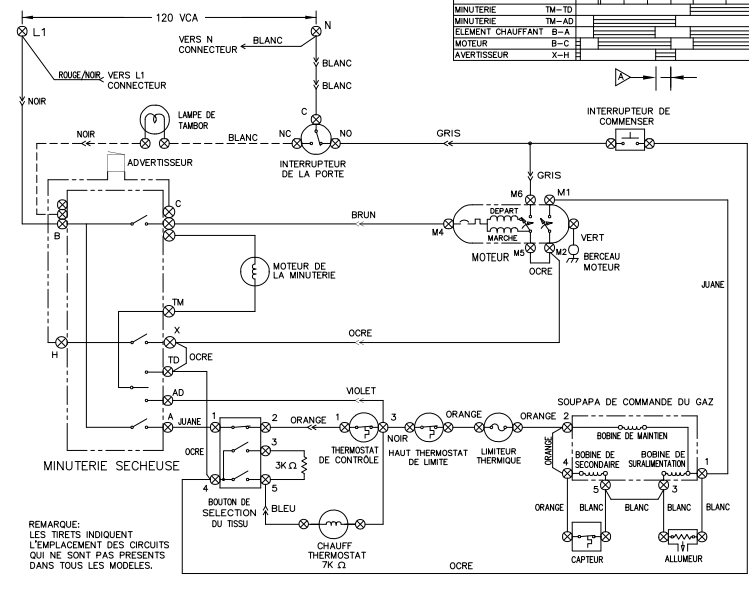
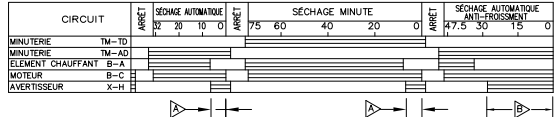
CODES DE CÂBLAGE

- ⊗ MINUTERIE ENFICHABLE
- ⊗ BORNE À DÉBRANCHEMENT RAPIDE
- BORNE À VIS
- + CONNEXION
- ⊕ AUCUNE CONNEXION
- ⊖ INTERRUPTEUR DE MOTEUR
- ⊖ ÉPISSURE
- ⊖ PROTECTEUR DU MOTEUR
- ⊖ MISE À LA TERRE DU BOÎTIER
- ⊖ BORNE À CONNECTEUR DE HARNAIS
- ⊖ BORNE ISOLÉE

- REMARQUES:**
- TOUT LE CÂBLAGE DOIT RESPECTER LES CODES DE L'ELECTRICITE LOCAUX.
 - BRANCHER LA SÈCHEUSE À UNE DERIVATION DISTINCTE DE 15 AMPERES.
 - MINUTERIE SÈCHEUSE ILLUSTRÉE EN POSITION FERMÉE, INTERRUPTEUR DE LA LA PORTE FERMÉE, MOTEUR ARRÊTÉ, THERMOSTAT FERMÉ ET BOUTON DE SÉLECTION DU TISSU SUR RÉGULIER.

	F-H	FF-H	FF-C
LAVAGE/RINÇAGE	X	0	0
CHAUD/FROID	0	X	X
TIEDE/TIEDE (OPT)	0	0	X
FROID/FROID	0	0	X
TIEDE/FROID	X	0	X

0=COMMUT OVERT X=COMMUT FERMÉ



LE DIAGRAMME HACHURE CI-DESSUS REPRÉSENTE UNE ROTATION COMPLETE DE L'ARRÊT DE LA MINUTERIE.

LE PARTIE OMBRÉE DU DAIGRAMME INDIQUE LE TEMPS RELATIF PENDANT LEQUEL LES CONTACTS INTERNES DE LA MINUTERIE SONT FERMÉS.

UNE CAME D'IMPULSION SITÉE À CÔTÉ DE LA CAME DE L'AVERTISSEUR ET TOURNANT A RAISON DE 12 TOURS À L'HEURE PERMET AU CIRCUIT DE SE FERMER PENDANT 5 SECONDES (± 3 SECONDES).

▷ 1 ou 2 FOIS DANS CETTE SECTION
▷ DE 5 A 6 FOIS DANS CETTE SECTION

COMMUTATEUR SÉLECTION TISSU

POSITION	1-2	3-4	4-5
SANS CHALEUR	0	0	0
CHALEUR FAIBLE	X	0	X
CHALEUR MOYENNE	X	X	0
CHALEUR FORTE	X	0	0

0=COMMUT OUVERT X=COMMUT FERMÉ

G

SCHÉMA DE CÂBLAGE
137132600 A